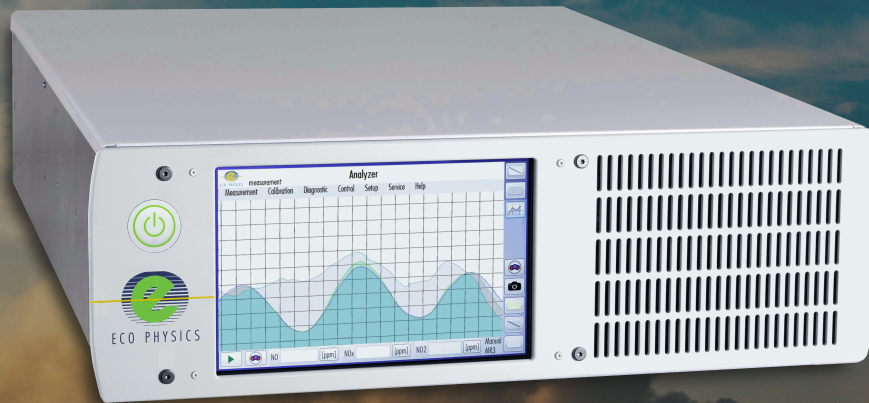




ECO PHYSICS nCLD EL S

APPLICATION EXAMPLES

- Stack emission measurement
- Surveillance of ship engines
- Boiler and burner operation
- Gas turbine installations
- Research and development
- Certification and calibration



The nCLD EL S is the next generation in single-channel NO/NO_x measurement. Unique in speed and precision, the nCLD EL S is modular designed and allows the continuous measurement of concentrations in the range of parts per million. Its new and intuitive user interface individually displays and connects to other instrument's data.

Measurement of:

- NO / NO_x

Precise and Reliable

The nCLD EL S with steel converter fulfills the specific requirements for exact and economical monitoring of NO/NO_x, in order to ensure compliance with relevant norms and regulations. All necessary data, such as calibration history, instrument status and warning conditions are continuously stored and available anywhere and at any time. The analyzer is designed for either mobile or stationary operation in line with an existing gas preconditioning unit, which ensures quality control as well as staying within threshold values. The calibration and adjustment of the unit runs quickly and automatically, ensuring unsurpassed precision and reliability.

User Friendliness

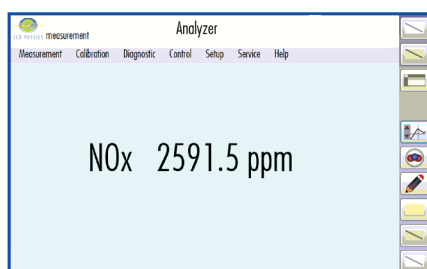
The new touch sensitive graphical user interface enables the user to individually adjust the instrument operation and data management according to his/ her needs and applications. The bright 7" monitor gives a clear overview and allows numerical and graphical display of values. Multiple digital in- and outputs guarantee a maximal connectivity and flexibility for the remote operation, control and maintenance of the nCLD EL S.

Compact, Modular and Intelligent!

The nCLD EL S is manufactured in a new compact and modular layout, in which each essential component of the chemiluminescence analyzer hosts its own CPU and interacts with other CPUs by BUS-communication. This assembly increases accessibility and serviceability by reducing wiring and piping. The measurement principle will conform to the standard method for NO_x-detection in stationary source emissions (EN 15267).

- Compact and modular design
- Guided touchscreen operation
- Mobile DC operation
- Remote operation, control and maintenance
- Steel or metal converter for NO_x detection
- Four freely selectable measuring ranges

Graphical user interface for individual analyzer operation and data management



Measurably better

SPECIFICATIONS

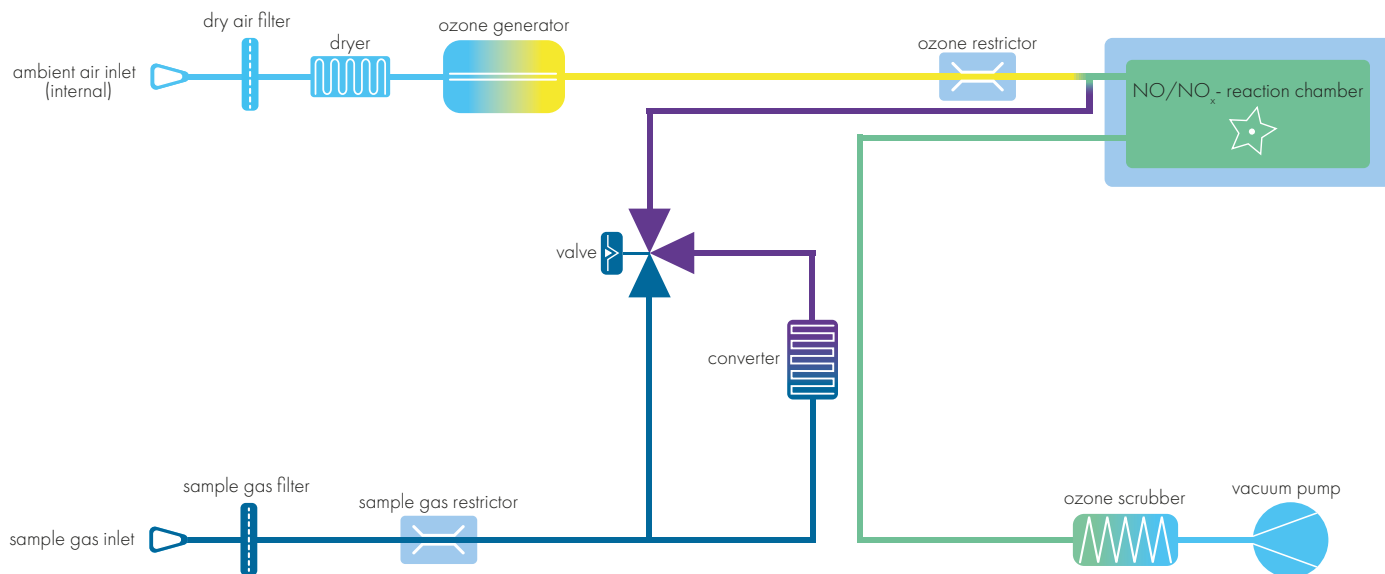
nCLD EL S

Analyzer type	single chamber CLD for measurement of NO or NO _x	Supply voltage	100 - 240 V / 50 - 60 Hz
Measuring ranges	four freely selectable ranges from 5 ppm - 5'000 ppm	Interface	USB(3x), HDMI, Bluetooth, RS232 (w/o 9pin connector), LAN, WLAN
Min. detectable concentration*	0.5 ppm	Dimensions	height: 133 mm (5¼") width: 450 mm (19") depth: 540 mm (21.2")
Noise at zero point (1σ)*	0.25 ppm	Weight	16 kg (35 lb) without pump
Lag time	<3 sec	Delivery includes	nCLD EL S analyzer, power cable, USB-LAN adapter
Rise time (0 - 90%)	<3 sec	Standard	nCLD EL S · S - steel converter
Temperature range	5 - 40 °C	Options	· toggle mode for NO ₂ measurement · 24 V operation incl. DC vacuum pump · inlet filter · rack mount slides · FTDI-RS232-USB cable · HDMI cable · USB-RS232 9pin connector · 0 - 10 V · 4 - 20 mA into 500 Ω max.
Humidity tolerance	5 - 95% rel. h (non-condensing, ambient air and sample gas)	Analog output (External Box)	
Sample flow rate	0.04 l/min		
Input pressure	ambient ext. stabilized within ±3 mbar		
Dry air use for O ₃ generator	internally generated (no external supply gas required)		
Power required	300 VA instrument 250 VA external membrane pump		

© ECO PHYSICS AG, Switzerland 2020 - 1/2

FLOW DIAGRAM

*Depending on filter setting
Connectivity properties are country-specific
ECO PHYSICS reserves the right to change these specifications without notice.



ECO PHYSICS

ECO PHYSICS AG · POB · CH-8635 DUERNTEN · TEL. +41 55 220 22 22 · E-MAIL INFO@ECOPHYSICS.COM

WWW.ECOPHYSICS.COM



Sintech Scientific (S.E.A.) Pte Ltd
No. 194 Pandan Loop #04-11
Pantech Business Hub
Singapore 128383
Tel : 65-67790007
Fax : 63520877, 63520885
Email : sales@sintechscientific.com
Website : www.sintechscientific.com